

NEW Supermicro 4U 90 Bay Top Load JBOD!

Sunday, 26 April 2015 15:25:00 Europe/London

NEW Supermicro SuperStorage 4U 90x Hot Swap Bay Top Loading JBOD!

Last week Supermicro announced a new ultra-dense 4U JBOD platform, the 4U SuperS storage. The [Superstorage](#) holds up to 90 8TB 3.5" drives that are top-loaded and hot-swappable. The [JBOD](#) supports up to 720TB of SAS3, 12Gb/s performance. It also features dual hot-swap expander modules featuring 4 mini-SAS HD ports.



This is a brand new type of JBOD for [Supermicro](#). There usual 4U JBOD's have front and rear facing Hot Swap bays. This new SuperS storage JBOD has a top loading Hot Swap bays meaning they can fit 90 x 3.5" Bays! The current Supermicro 4U JBODs have a max of 45 x 3.5" bays. So this as significant storage capacity upgrade, so clients are able to squeeze even more storage into a 4U rack space. Combine this with a Supermicro 36 Bay 4U System and 8TB SAS [HDD's](#) and you have over 1 Petabyte of S storage space!

See in depth details below of the new JBOD!

SUPERMICR 4U 90-bay top loaded SAS3 JBOD with Dual Expander

Coming Soon!!

SC946ED-R3KJBOD



CHASSIS DIMENSIONS: H 7" x W 17.6" x D 35.66" (176.2 x 447 x 906mm)

DRIVE BAYS:

90 x 3.5" SAS3 12Gb/s Hot-swap drives

EXPANDER MODULE:

Dual hot swappable SAS3 Expander module with 4 mini SAS HD ports per module

POWER SUPPLIES:

1000W (3+1) 96% efficient Digital Titanium Level Redundant Power Supplies

COOLING: 5 x 80mm high speed low vibration Hot-swappable Fans

I/O ports (per expander board):

4x Mini-SAS HD ports, 1x IPMI port (BMC) w/ LED, 1x UID, 1x COM ports, 1x Reset button



KEY FEATURES

- 4U Extremely High Storage Capacity JBOD
- 90 x 3.5" SAS3 Hot-swappable HDDs with 12Gb/s
- Dual Hot-swappable Expander Module with 4x Mini-SAS HD ports per module for fail over redundancy, high performance, high availability applications
- 2x IPMI port with SNMP for Remote System Power on/off, wake-on-LAN and system monitoring
- Cable arm support
- Tool-less HDD tray with HDD LED indicator, chassis handle
- Support HDD Zoning
- Able to power cycle for each individual HDD

APPLICATIONS

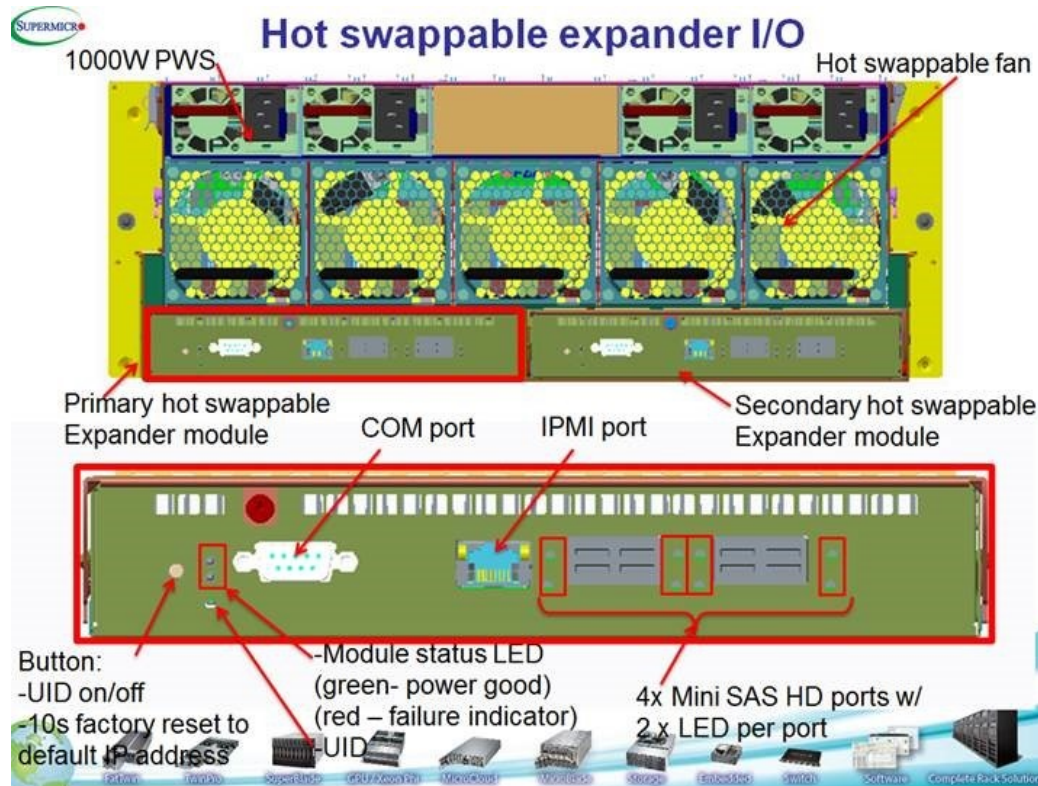
- OpenCloud OpenStack
- High Density Archiving Storage
- Media/Streaming Storage
- Cloud backup / Data Replication
- Compliance Storage

*Subject to change without notice



One very neat feature of the JBOD is it has 2 x Hot Swappable expander modules with 4 x Mini-SAS HD ports to give you fail over redundancy and high application performance. Also includes 2 x IPMI ports for remote system management.

See diagram below



Another new feature compared to the standard 4U JBOD is Tool-less HDD Hot Swap trays, no screws required!. LED indicator lights are positioned on the front, one for Activity and one for failure (Red).

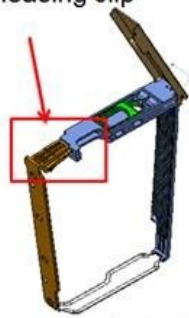


New Chassis Features

LED indicators



Tool-less releasing clip



4. tool-less HDD tray with LED indicators (Activity and Failure LED)

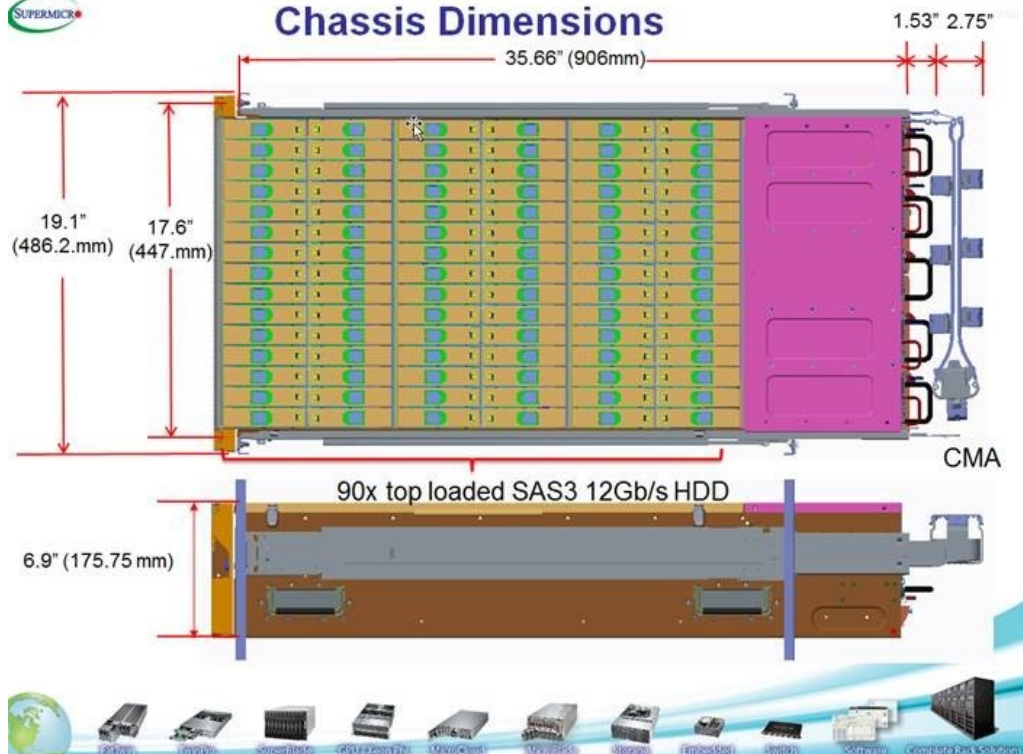


5. tool-less chassis handle

See diagram below to see chassis dimensions. It details the layout of 90 x Hot Swap bays (SAS3 12Gb/s). Other things worth noting are: 1000W (3 + 1) 96% efficient Digital Titanium Level Redundant Power Supplies and 5 x 80mm high speed low vibration Hot-swappable Fans for cooling.



Chassis Dimensions



Specific Applications for this type of JBOD:

- OpenCloud OpenStack
- High Density Archiving Storage
- Media/Streaming Storage (4K and 8K UHD)
- Cloud Backup / Data Replication
- Compliance Storage